

# R32

High technology and innovative upgrades  
set the industry benchmark



✉ [contact@rippa.com](mailto:contact@rippa.com)  
🌐 [www.rippa.com](http://www.rippa.com)

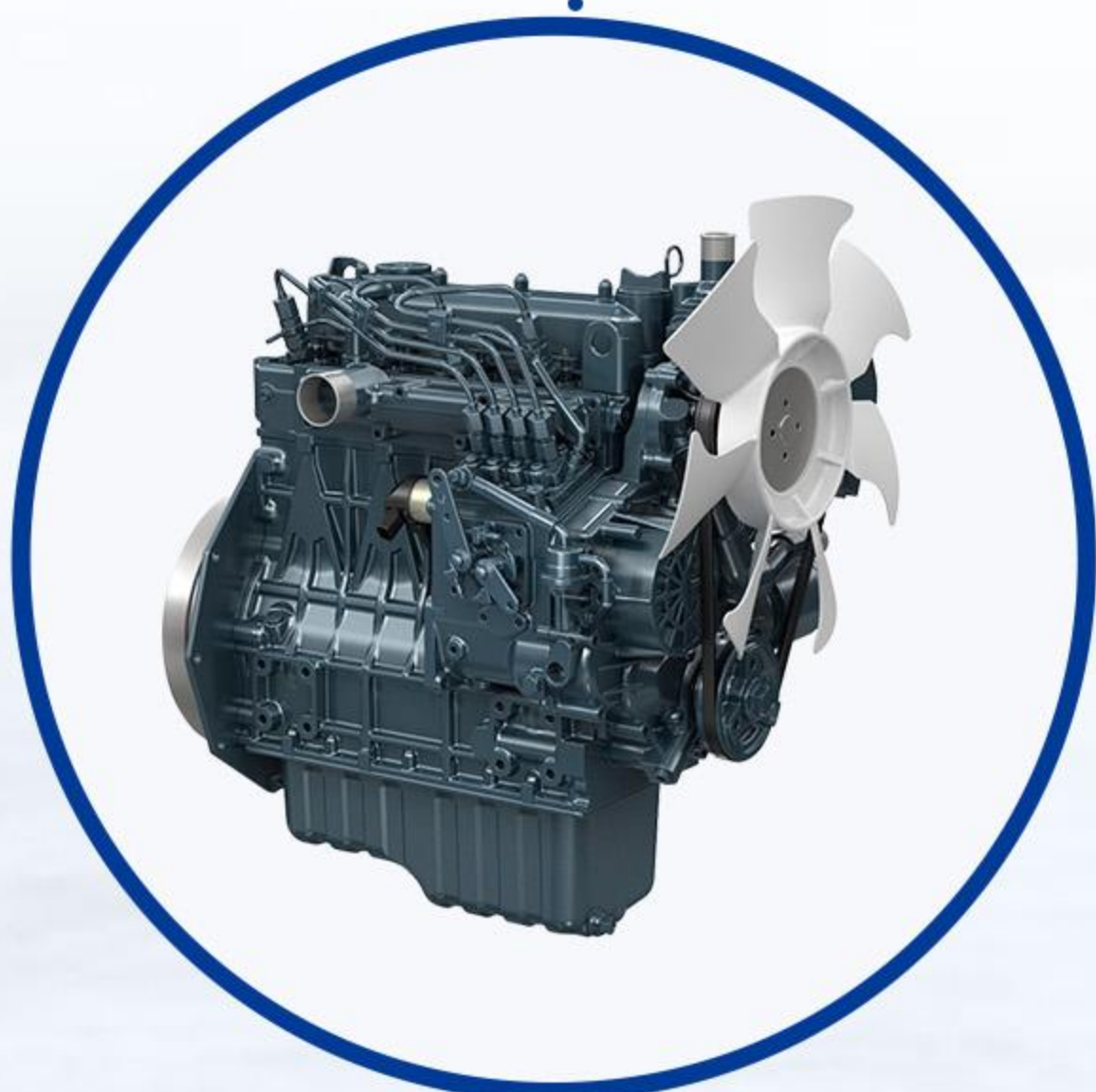
Smart large screen con-  
figuration



Flip-up front glass + pro-  
tective net



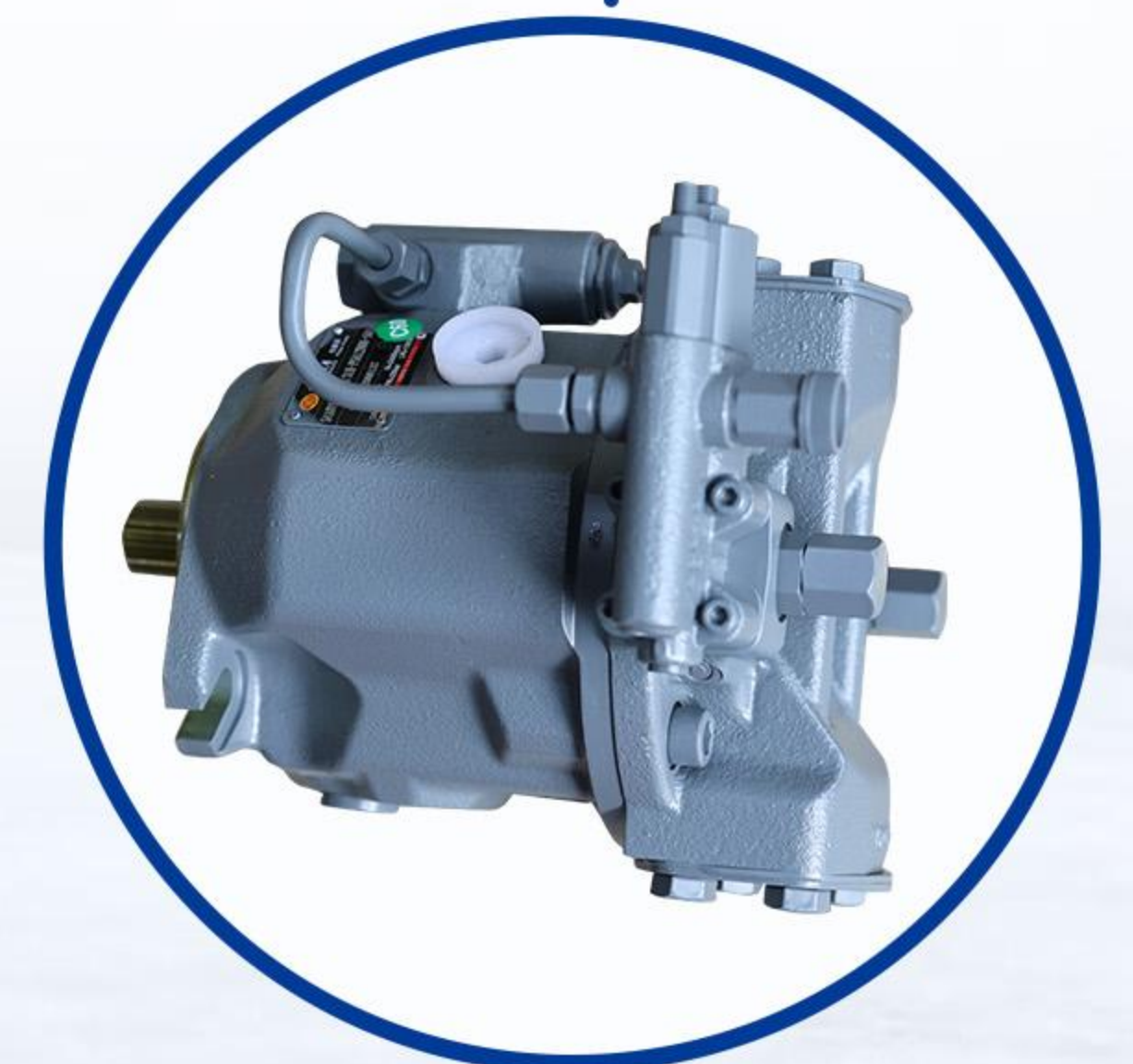
Load sensing valve  
group



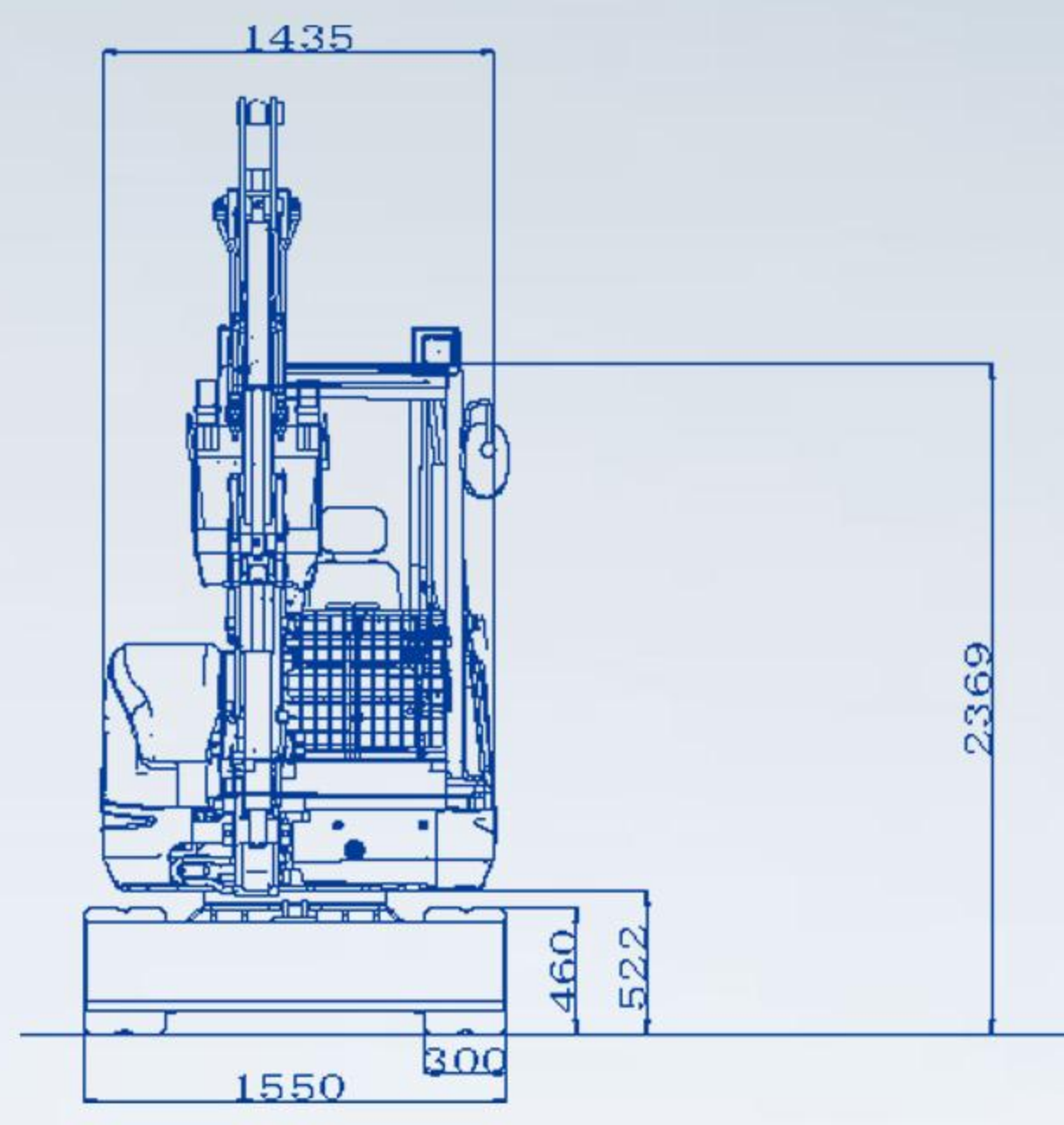
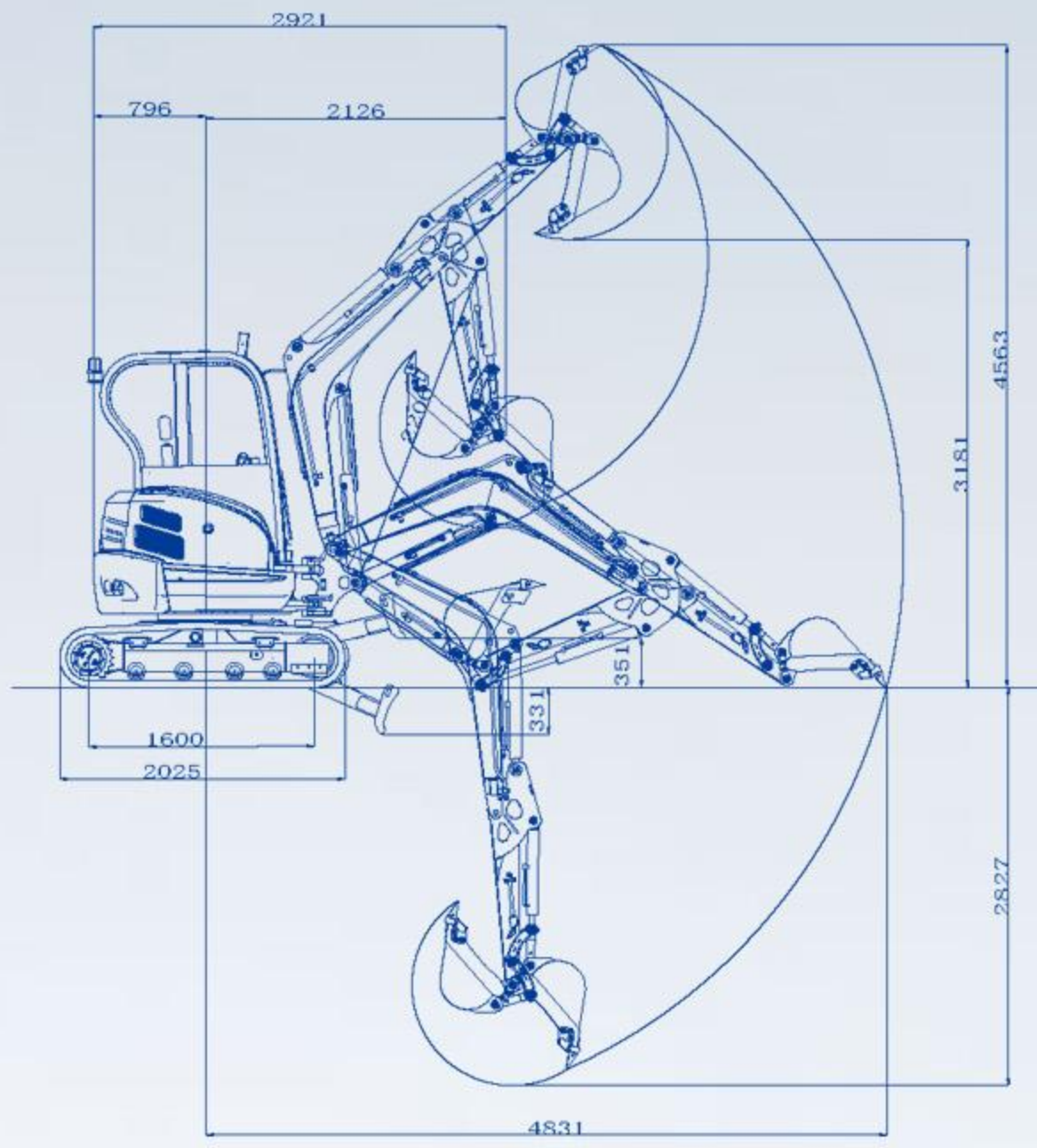
Kubota V1505 four-cylinder  
engine



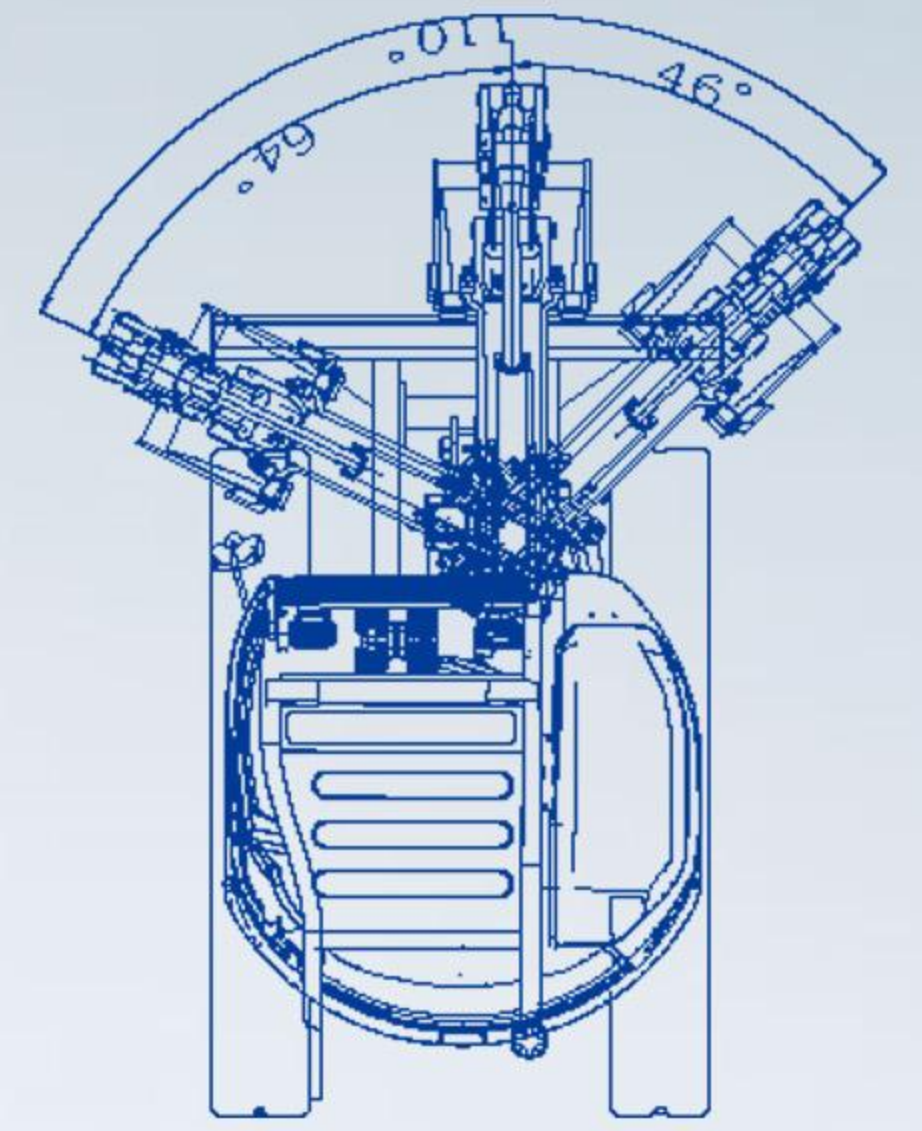
Counterweight-Real weight  
: 3.2Ton



Load sensing piston pump



Unit: mm



<b>Basic parameters</b>	Machine working weight	7055lb	3200kg
	Bucket capacity	2.83ft <sup>3</sup>	0.08m <sup>3</sup>
	Travel speed low/high speed	0-1.1/0-1.7mph	0-1.8/0-2.8km/h
	Gradeability	30%	30%
	Ground pressure	5.2psi	36kpa
	Maximum digging force	6070lbf	27kN
	Maximum digging radius	190.2in	4831mm
	Maximum digging depth	111.3in	2827mm
	Maximum digging height	179.6in	4563mm
	Maximum unloading height	125.2in	3181mm
	Maximum deflection angle	110°	110°
	Track extension range	-	-
<b>Engine</b>	Engine brand	Kubota	Kubota
	Engine model	V1505	V1505
	Maximum horsepower	24.4hp	24.8ps
	Maximum power	18.2kw	18.2kw
	Maximum speed	2300rpm	2300rpm
	Displacement	0.4gal	1.5L
	Number of cylinders	4	4
	Cooling method	Water-cooled	Water-cooled
	Engine oil change amount	1.32gal	5L
	Fuel form	DIESEL	Diesel
Fuel grade	0/-10	0/-10	
Theoretical fuel consumption	1.3-1.5L/h	1.3-1.5L/h	

<b>Body</b>	Transport length	115in	2921mm	
	Transport width	61in	1550mm	
	Transport height	93.3in	2369mm	
	Counterweight ground clearance	20.6in	522mm	
	Bucket width	15.7in	400mm	
	Boom length	86.6in	2220mm	
	Arm length	65.4in	1620mm	
	Bulldozer blade width	61in	1550mm	
	<b>Hydraulic system</b>	Maximum set pressure	2901psi	20MPa
		Travel hydraulic motor type	LTM03AX	LTM03AX
		Travel motor brand	Likechuan	Likechuan
		Motor displacement	15.4/23.2ml/r	15.4/23.2ml/r
Slewing hydraulic motor type		Likechuan	Likechuan	
Displacement		18.1ml/r	18.1ml/r	
Main pump type/model		Load sensitive piston pump/45		
Main pump brand		Taifeng	Taifeng	
Main pump maximum flow		26.1GPM	99 L/min	
Multi-way valve		Load sensitive 9-way hydraulic control valve		
Multi-way valve brand	Taifeng	Taifeng		
Rated set pressure	2611psi	18MPa		

## SCENARIO APPLICATION

The RIPPA R32 is a powerful 3.2-ton mini excavator with a zero-tail swing design, ideal for working in tight spaces without worrying about rear overhang. Although it has a fixed undercarriage (non-retractable tracks), it offers excellent stability and strength. Perfect for digging water channels, new building foundations, swimming pools, trenches, and utility installation. It's also great for landscaping, site leveling, pond excavation, light demolition, and agricultural clearing. A reliable choice for contractors and utility workers in confined areas.

Dealer / Name:

WhatsApp / Phone:

Address:

Email: